

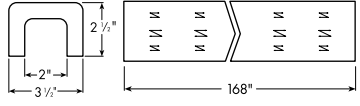


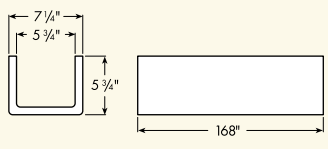



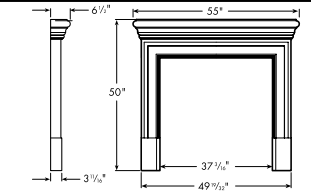
Beam

DIMENSIONS

Part Number		Length	Width	Inside Width
 BMCDR4X3X168S Woodgrain/Stainable	 	168"	3 1/2"	2 1/2"
 BMCDR8X6X168S Woodgrain/Stainable	 	168"	7 1/4"	5 3/4"


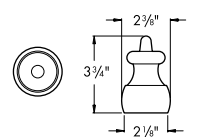

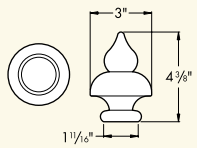

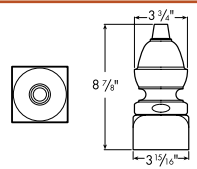
Mantel Surround

DIMENSIONS

Part Number		Length	Width	Inside Width
MSR37X50	 	50"	55"	37 3/16"

Nip

DIMENSIONS

Part Number		Width	Height	Projection
NIP2X4	 	2 3/8"	3 3/4"	2 3/8"
NIP3X4	 	3"	4 3/8"	3"
NIP4X9	 	3 5/16"	9"	3 15/16"

 Indicates Stainable/Woodgrain Products