

IMPORTANT: A urethane base adhesive such as PL Premium Adhesive must be used on all joints. See page 6 to order PL Premium Adhesive. For more information, refer to comparison chart on page 7.

Moulding (continued)

					UNATTACHED ACCESSORIES	
					See Decorative Millwork Section/Catalog	
					DIMENSIONS	
Part Number	Projection	Height	Length	Design Repeat	Dentil Block	Moulding Match
MLD556-16	10"	15"	16'	NONE	—	—

Moulding





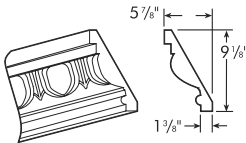

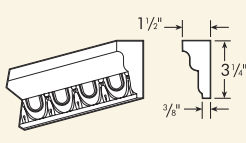

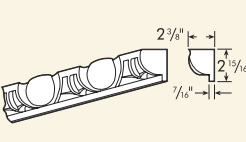

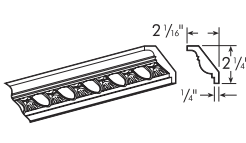
					UNATTACHED ACCESSORIES				
					DIMENSIONS				
									
Part Number	Projection	Height	Length	Design Repeat	Outside Corner	Inside Corner	Divider Block		
MLD560-8 Egg and Dart			5 7/8"	9 1/8"	8'	5 7/16"	MOC560 (Page 60 ML)	MIC560 (Page 60 ML)	MDB560 (Page 60 ML)
MLD561-8 Egg and Dart			1 1/2"	3 1/4"	8'	1 9/16"	—	—	—
MLD561-12 Egg and Dart			1 1/2"	3 1/4"	12'	1 9/16"	—	—	—
MLD562-8 Egg and Dart			2 3/8"	2 15/16"	8'-5"	6 1/8"	—	—	—
MLD563-12 Egg and Dart			2 1/16"	2 1/4"	12'-3"	1 11/16"	—	—	—

CHART CONTINUED ON FOLLOWING PAGE.

 Indicates Stainable/Woodgrain Products