
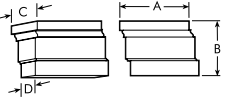

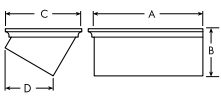

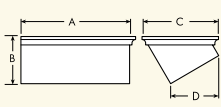



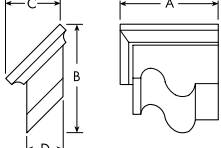
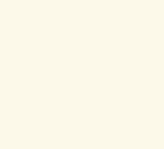
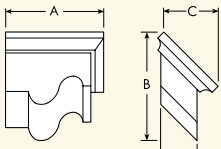
Dentil Block - Large

		DIMENSIONS				
Part Number		A	B	C	D	
DTLB12X10X16 Large MLD505 - Moulding Match (See Mouldings Section/Catalog, Page 23 ML)			16 1/2"	12"	10 1/2"	5 5/8"

Dentil Block - Left Pitch/Right Pitch

		DIMENSIONS					
Part Number		A	B	C	D	Pitch	
LEFT PITCH Left-side Pitched Application - Matches DTLB2X8X12 (Page 18 DM)							
DTLB2X8X12L7			12"	4 15/16"	8"	5 13/16"	7/12 left side
RIGHT PITCH Right-side Pitched Application - Matches DTLB2X8X12 (Page 18 DM)							
DTLB2X8X12R7			12"	4 15/16"	8"	5 13/16"	7/12 right side

Dentil Block - Left Pitch/Right Pitch

		DIMENSIONS					
Part Number		A	B	C	D	Pitch	
LEFT PITCH Left-side Pitched Application							
DTLB2X4X6L12			5 3/4"	6 7/16"	3 1/16"	2 1/8"	12/12 left side
RIGHT PITCH Right-side Pitched Application							
DTLB2X4X6R12			5 3/4"	6 7/16"	3 1/16"	2 1/8"	12/12 right side

 Indicates Stainable/Woodgrain Products